

MC CONNECTED AT PIVOT
 ROTATION OF 15°
 MECH ADV REMAINS APPROX
 UNCHANGED

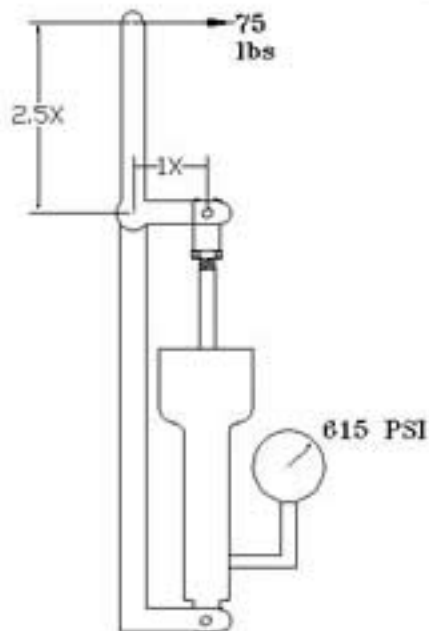


FIG 1
 MECH ADV =
 $2.5/1 = 2.5$ to 1

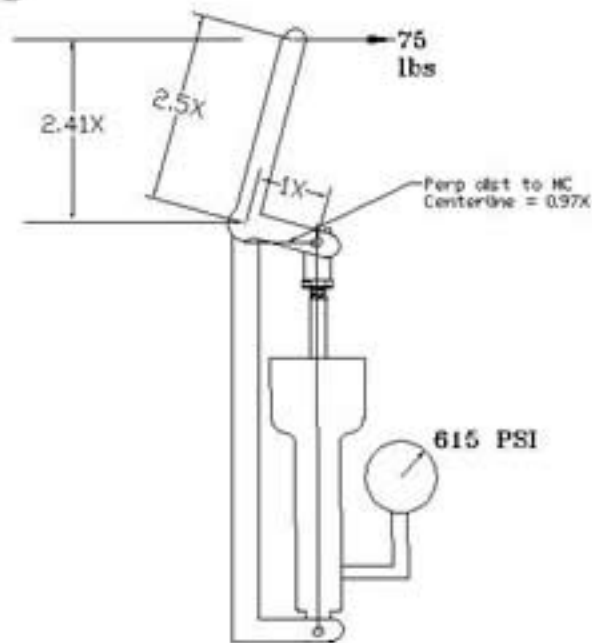


FIG 2
 MECH ADV =
 $2.41/96 = 2.5$ to 1

AMATCO only	(801) 486-7574	DRAWING TITLE: Pedal Geometry Example	DRW. BY: G. Happ	SCALE:
550W 3615 SOUTH	S.L.C. UT., 84115	FILE NAME: ACAD/BIKEL/SPECIAL/VEBA	FEB 02, 2002	1 OF 1

DIAGRAM 4